

MECHANICAL SPECIFICATION

Enclosure Construction Material

Flame Retardant rating 94V0
White ABS - Transparent PC

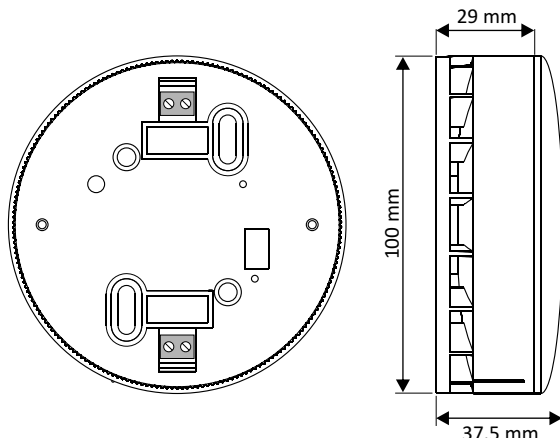
Weight

Base Sounder - 100 g*
Including Lid - 120 g

*Including electronic circuits
and fixings

Protection

Type A - Indoor Use
Rating IP21C



TECHNICAL SPECIFICATIONS

SUPPLY VOLTAGE		20 V to 30 V DC	
SOUNDER / BEACON ACTIVE		SOUNDER	SOUNDER/BEACON
SWEEPING TONE 800-1000 Hz		2.5 mA	3.3 mA
ALTERNATING HIGH FREQ. 2.7-3.2 KHz		5 mA	6.0 mA
CONTINUOUS TONE 800 Hz		2.5 mA	3.3 mA
ALTERNATING LOW-FREQ. 800-1000 Hz		2.5 mA	3.3 mA
LOOP CURRENT - BEACON		Beacon 2.5 mA	
MAXIMUM SOUNDER OUTPUT		96 dB (@ 1 meter - 30 V DC)	
CABLE SIZE		0.5-2.5 mm ²	
COLOUR / CASE MATERIAL		White or Red / ABS	
OPER. TEMPERATURE / MAX. HUMIDITY		-10°C to 55°C / 95% RH Non-Condensing	
DIMENSIONS / WEIGHT		100 (D) x 50 (H) mm inc. base / 144 g inc. base	
ORDER CODE	CERTIFICATE NO.	DESCRIPTION	
VULCAN 2 CS	1328-CPR-0289	CONVENTIONAL BASE SOUNDER	
VULCAN 2 CSB	1328-CPR-0289	CONVENTIONAL BASE SOUNDER W/ BEACON	
VULCAN 2 CB	-	CONVENTIONAL BEACON	
VULCAN 2 L	-	LID FOR VULCAN 2	
VULCAN 2 LT	-	TRANSPARENT LID FOR VULCAN 2	

Vulcan 2 CS

Conventional Sounder - Beacon

The VULCAN 2 CS is a low consumption conventional sounder designed to be used as an unobtrusive low profile sounder or as a base sounder to be installed in conjunction with a detector. This leads to reduced installation costs and improves the aesthetics of the fire alarm system.

Four different tones are available and selected by a 2-way DIL switch. The Sound level can be lowered if required using the potentiometer.



FEATURES

High Quality

Certified to EN54-3

Low Current Consumption Max.
6.0 mA Combined Sounder/Beacon

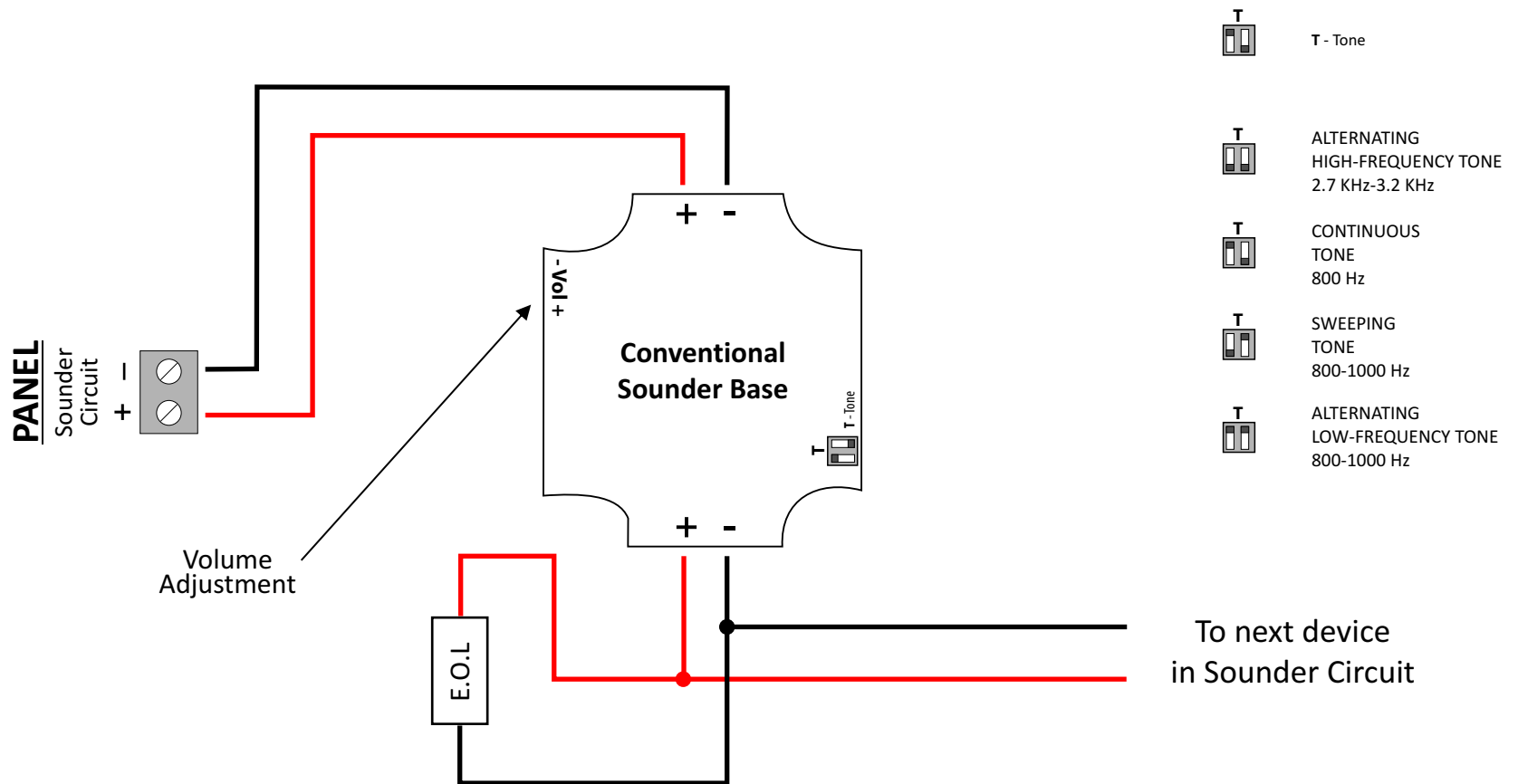
Available in both White
and Red Colours

GLOBAL FIRE EQUIPMENT S.A.

Sítio dos Barrabés, Armazém Nave Y, Caixa Postal 908-Z, 8150-016 São Brás de Alportel - PORTUGAL
Tel: +351 289 896 560 • Sales: sales@globalfire.pt • Technical Support: techs@globalfire.pt • www.globalfire.pt



Please note that this device is polarised.



NOTE:

Only last device in Sounder Circuit should have e.o.l. (end of line) fitted across + and - terminals.